



2017 TOYOTA RAV4 LE

VIN: 2T3BFREV3HW637309
4 DOOR WAGON/SPORT UTILITY
2.5L I4 F DOHC 16V
GASOLINE
ALL WHEEL DRIVE



Accident reported: moderate damage



CARFAX 1-Owner vehicle



Regular oil changes



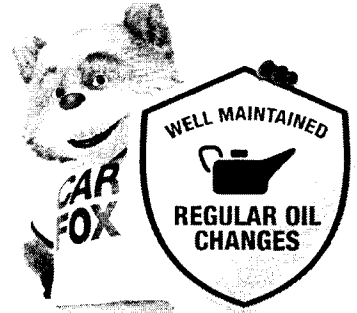
Personal vehicle



38,847 Last reported odometer reading

This CARFAX Report Provided by:

Mark Bates Preworn Automobiles



This CARFAX Vehicle History Report is based only on information supplied to CARFAX and available as of 3/18/22 at 11:29:38 AM (CDT). Other information about this vehicle, including problems, may not have been reported to CARFAX. Use this report as one important tool, along with a vehicle inspection and test drive, to make a better decision about your next used car.



Year purchased

2017

Type of owner

Personal

Estimated length of ownership

4 yrs. 6 mo.

Owned in the following states/provinces

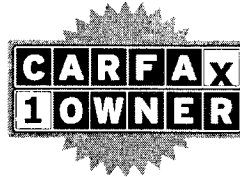
Ohio

Estimated miles driven per year

8,517/yr

Last reported odometer reading

38,847



Salvage | Junk | Rebuilt | Fire | Flood | Hail | Lemon

Guaranteed No Problem

Not Actual Mileage | Exceeds Mechanical Limits

Guaranteed No Problem



GUARANTEED - None of these major title problems were reported by a state Department of Motor Vehicles (DMV). If you find that any of these title problems were reported by a DMV and not included in this report, CARFAX will buy this vehicle back.
[Register](#) | [View Terms](#)



Total Loss

No total loss reported to CARFAX.

No Issues Reported

Structural Damage

No Issues Reported

CARFAX recommends that you have this vehicle inspected by a collision repair specialist.

Airbag Deployment
No airbag deployment reported to CARFAX.

No Issues Reported

Odometer Check
No indication of an odometer rollback.

No Issues Indicated

Accident / Damage
Accident reported: 09/15/2018. Damage reported: 09/16/2021.

Accident Reported

Manufacturer Recall
No open recalls reported to CARFAX. Check with an authorized [Toyota dealer](#) for any open recalls.
[View Toyota disclosure](#)

No Recalls Reported



Owner 1

Purchased:
2017



Low mileage! This owner drove less than the industry average of 15,000 miles per year.

Personal Vehicle
8,517 mi/yr

Date	Mileage	Source	Comments
04/10/2017		NICB	Vehicle manufactured and shipped to Ohio
04/17/2017	2	Dealer Inventory	Vehicle offered for sale
04/21/2017		Toyota West Columbus, OH 614-465-4852 toyotawestohio.com 4.5 / 5.0 230 Verified Reviews ♥ 5,557 Customer Favorites	Vehicle serviced - Pre-delivery inspection completed - Anti-theft/keyless device/alarm installed
07/23/2017		Toyota West Columbus, OH 614-465-4852 toyotawestohio.com 4.5 / 5.0 230 Verified Reviews ♥ 5,557 Customer Favorites	Vehicle serviced
08/26/2017	15	Ohio Motor Vehicle Dept.	Vehicle purchase reported - Titled or registered as personal vehicle
09/13/2017		Ohio Motor Vehicle Dept. Columbus, OH Title #2514455125	Title issued or updated - Registration issued or renewed - First owner reported - Loan or lien reported
12/26/2017	5,057	Toyota West Columbus, OH 614-465-4852 toyotawestohio.com 4.5 / 5.0 230 Verified Reviews ♥ 5,557 Customer Favorites	Vehicle serviced - Maintenance inspection completed - Fluids checked - Oil and filter changed - Tires rotated
03/22/2018	7,711	Toyota West Columbus, OH 614-465-4852 toyotawestohio.com	Vehicle serviced - Maintenance inspection completed - Fluids checked - Oil and filter changed

4.5 / 5.0

- Tires rotated

230 Verified Reviews

5,557 Customer Favorites

05/04/2018

Ohio
Motor Vehicle Dept.
Columbus, OH
Title #2514455125

Registration issued or renewed

06/21/2018

9,885

Toyota West
Columbus, OH
614-465-4852
toyotawestohio.com



Vehicle serviced

- Maintenance inspection completed
- Fluids checked
- Oil and filter changed
- Tires rotated

4.5 / 5.0

230 Verified Reviews

5,557 Customer Favorites

09/15/2018

Damage Report



Accident reported: moderate damage

- Vehicle involved in a rear-end collision with another motor vehicle
- Damage to rear
- Damage to left rear
- Damage to undercarriage
- Disabling damage reported
- Airbags did not deploy

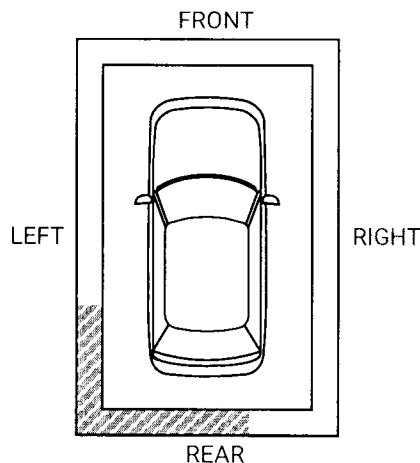
Damage Severity Scale (i)



CARFAX HAS THE MOST ACCIDENT & DAMAGE INFORMATION



Damage Location



11/30/2018

13,191

Toyota West
Columbus, OH
614-465-4852
toyotawestohio.com



Vehicle serviced

- Maintenance inspection completed
- Fluids checked
- Oil and filter changed
- Tires rotated
- Vehicle washed/detailed

4.5 / 5.0

230 Verified Reviews

5,557 Customer Favorites

05/03/2019

Ohio
Motor Vehicle Dept.
Columbus, OH
Title #2514455125

Registration issued or renewed

- Registration updated when owner moved the vehicle to a new location

09/26/2019

20,678

Toyota Direct

Vehicle serviced

Columbus, OH
888-711-5293
toyotadirect.com

- Tire condition and pressure checked
- Tires rotated
- Oil and filter changed

4.4 / 5.0

347 Verified Reviews

541 Customer Favorites

05/08/2020

Ohio
Motor Vehicle Dept.
Columbus, OH
Title #2514455125

Registration issued or renewed

06/25/2020

25,206

Toyota Direct
Columbus, OH
888-711-5293
toyotadirect.com

- Vehicle serviced
- Oil and filter changed

4.4 / 5.0

347 Verified Reviews

541 Customer Favorites

01/11/2021

29,213

Toyota Direct
Columbus, OH
888-711-5293
toyotadirect.com

- Vehicle serviced
- Inspection performed
- Recommended maintenance performed
- Fluids checked
- Oil and filter changed
- Tires rotated

4.4 / 5.0

347 Verified Reviews

541 Customer Favorites

04/24/2021

Ohio
Motor Vehicle Dept.
Columbus, OH
Title #2514455125

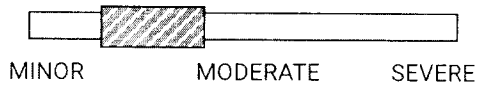
Registration issued or renewed
- Registration updated when owner moved the vehicle to a new location

09/16/2021

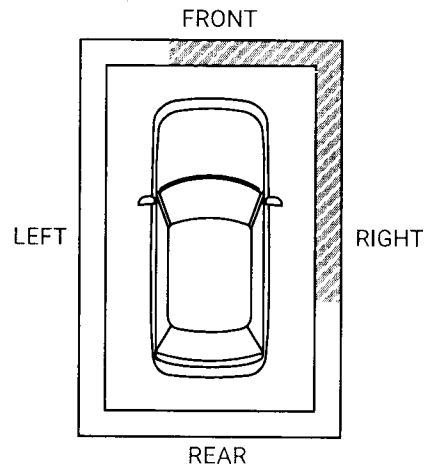
Damage Report

- Damage reported: minor to moderate damage
- Damage to front
- Damage to right front
- Damage to right side

Damage Severity Scale ⓘ



Damage Location



CARFAX HAS THE MOST ACCIDENT & DAMAGE INFORMATION



11/18/2021

Toyota Motor Sales, USA, Inc.

Manufacturer Service Campaign issued